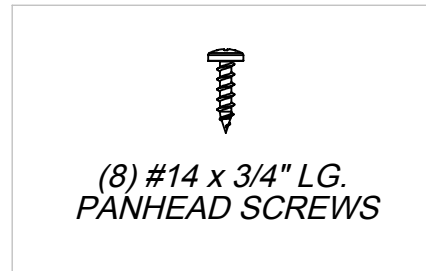
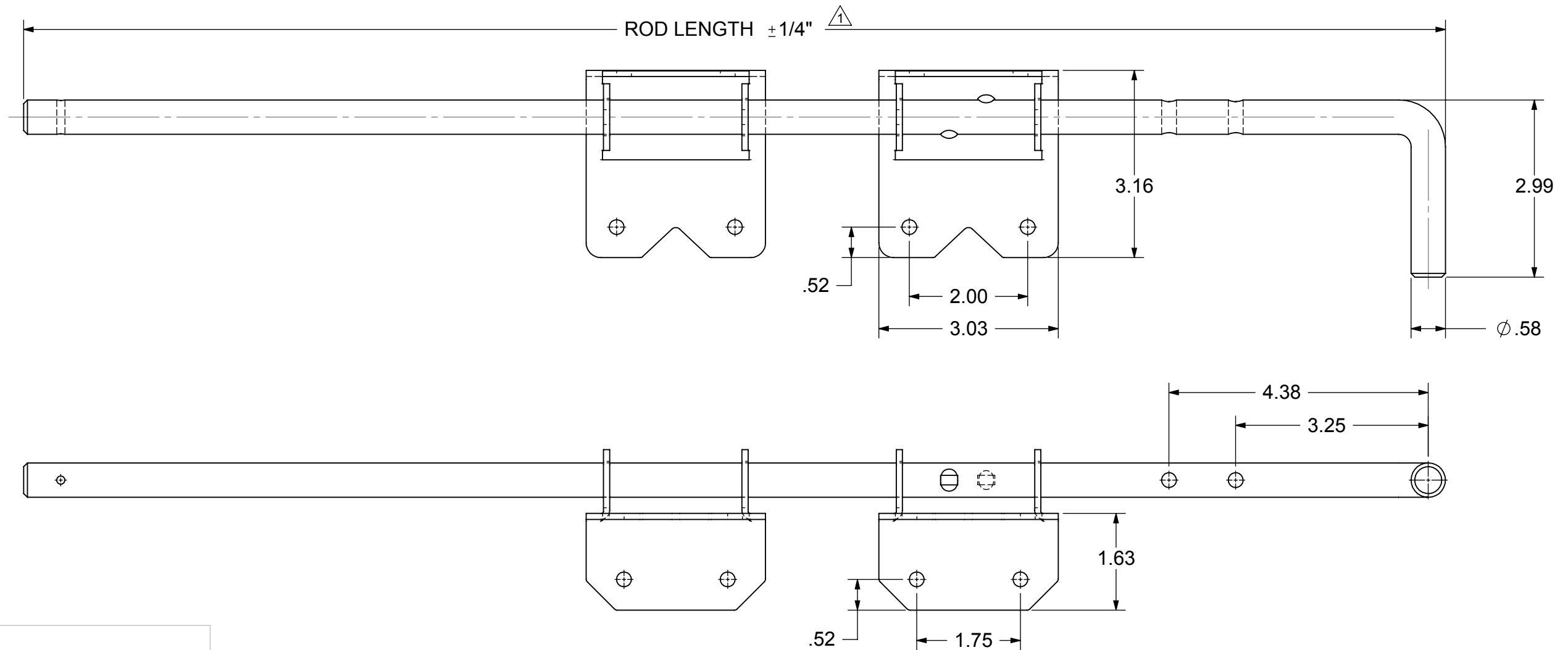


PACKAGING INSTRUCTIONS

ECR/DCR		REV.	DESCRIPTION	DATE	APPD
-	-	-	INITIAL RELEASE	02-02-09	-
-	-	1	ADDED 1/4" TOL. TO DROP ROD LENGTH	02-26-13	CGS

- 1) POLYBAG (8) #14 x 3/4" LG. PANHEAD SCREWS
- 2) POLYBAG (1) DROP ROD, (2) MOUNTING BRACKETS AND (1) PACKAGE OF #14 PANHEAD SCREWS.



TO SPECIFY COLOR, ADD "W" (WHITE) OR "B" (BLACK)
TO THE END OF P/N SUFFIX.

-48SS	48"	SERIES 304 SST
-48	48"	CARBON STEEL
-36SS	36"	SERIES 304 SST
-36	36"	CARBON STEEL
-24SS	24"	SERIES 304 SST
-24	24"	CARBON STEEL
-** P/N SUFFIX	DROP ROD LENGTH	MATERIAL

DIMENSIONS ARE IN INCHES
TOLERANCES:
FRACTIONAL ±1/16"
ANGULAR: MACH ±1° BEND ±1°
TWO PLACE DECIMAL ±0.01
THREE PLACE DECIMAL ±0.005



**24", 36" & 48"
DROP ROD ASSEMBLY**

PROPRIETARY AND CONFIDENTIAL
THE INFORMATION CONTAINED IN THIS
DRAWING IS THE SOLE PROPERTY OF
NATIONWIDE INDUSTRIES. ANY
REPRODUCTION IN PART OR AS A WHOLE
WITHOUT THE WRITTEN PERMISSION OF
NATIONWIDE INDUSTRIES IS PROHIBITED.

SIZE B DWG. NO. **CS--NW38305N** REV. **1**
SCALE:1:8 WEIGHT: SHEET 1 OF 1

NOTES:

1. PART TO HAVE A NON-ABRASIVE FINISH.
2. PART TO HAVE MIN. DRAFT ANGLE AS TOOLING REQUIRES.
3. ANY AND ALL CHANGES TO MATERIAL OR FINISH MUST BE APPROVED BY NWI.
4. ALL DIAMETERS TO BE CONCENTRIC WITHIN .005 UNLESS OTHERWISE SPECIFIED.
5. ALL CORNERS TO BE .015 MAX R OR CHAMFER OR OTHERWISE NOTED.
6. ALL DIMENSIONS ARE FINISHED PART DIMENSIONS.