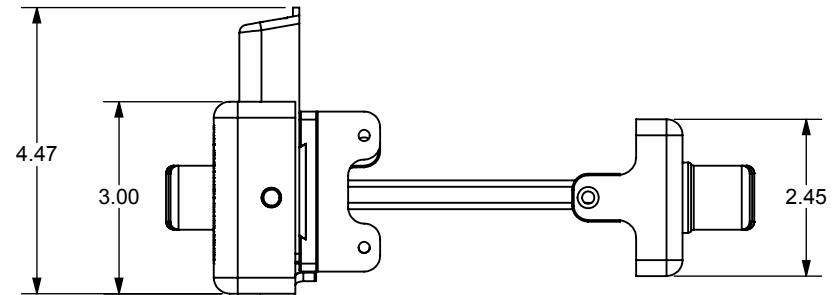
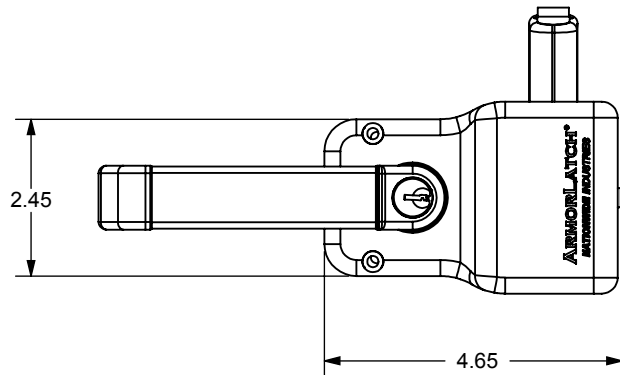
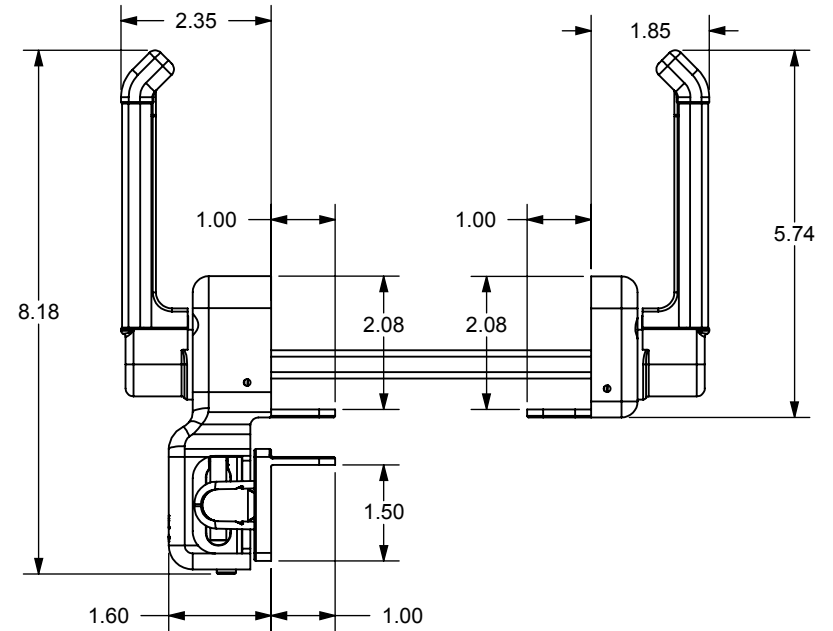
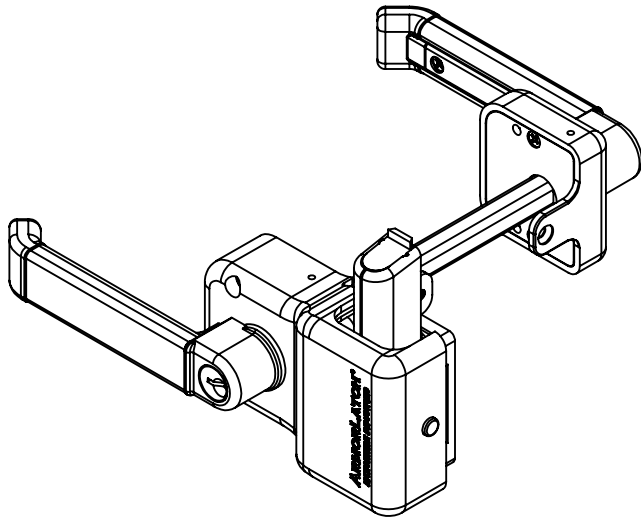


PART #	PACKAGING INSTRUCTIONS
NW6244-SD-FB	SHEET 2
NW6244-FB	SHEET 2

		REVISIONS		
ECR/DCR	REV.	DESCRIPTION	DATE	APPD
-	-	INITIAL RELEASE	05-07-14	-
-	1	ADDED @ SYMBOL TO LOGO	07-19-18	-



DIMENSIONS ARE IN INCHES
TOLERANCES:
FRACTIONAL $\pm 1/16"$
ANGULAR: MACH $\pm 1^\circ$ BEND $\pm 1^\circ$
TWO PLACE DECIMAL ± 0.01
THREE PLACE DECIMAL ± 0.005

PROPRIETARY AND CONFIDENTIAL
THE INFORMATION CONTAINED IN THIS DRAWING IS THE SOLE PROPERTY OF NATIONWIDE INDUSTRIES. ANY REPRODUCTION IN PART OR AS A WHOLE WITHOUT THE WRITTEN PERMISSION OF NATIONWIDE INDUSTRIES IS PROHIBITED.

NATIONWIDE INDUSTRIES

**ARMORLATCH®
MAGNETIC GATE LATCH**

SIZE: **A** DWG. NO. **CS--NW6244** REV. **1**
SCALE: 1:3 WEIGHT: SHEET 1 OF 2

NW6244-SD-**

PACKAGING INSTRUCTIONS:

EACH INDIVIDUALLY LABELED BOXED SET TO CONTAIN:

1. INDIVIDUALLY POLYBAGGED

- (1) **KEEPER ASSEMBLY**
- (1) **FRONT HOUSING ASSEMBLY**
- (1) **BACK HOUSING ASSEMBLY**

2. POLYBAGGED MOUNTING HARDWARE KIT CONTAINING:

- (1) **5.95" HANDLE SPINDLE**
- (1) **4.95" HANDLE SPINDLE**
- (1) **2.95" HANDLE SPINDLE**
- (1) **2.70" HANDLE SPINDLE**
- (1) **SET OF FRONT HOUSING KEYS**
- (1) **SET OF BACK HOUSING KEYS**
- (1) **INSTALLATION INSTRUCTION SHEET**
- (1) **"WARRANTY" SHEET**
- (1) **POLYBAGGED SCREW SET CONTAINING:**
 - (2) **#8 X 1.75" L PHILLIPS FLAT HEAD SELF DRILLING SCREW**
 - (2) **#8 X 1.25" L PHILLIPS FLAT HEAD SELF DRILLING SCREW**
 - (6) **#8 X .75" L PHILLIPS FLAT HEAD SELF DRILLING SCREW**
 - (1) **#8 X .5" L PHILLIPS FLAT HEAD SELF DRILLING SCREW**
 - (3) **6-32 X .25" L PHILLIPS FLAT HEAD MACHINE SCREW**

NW6244-**

PACKAGING INSTRUCTIONS:

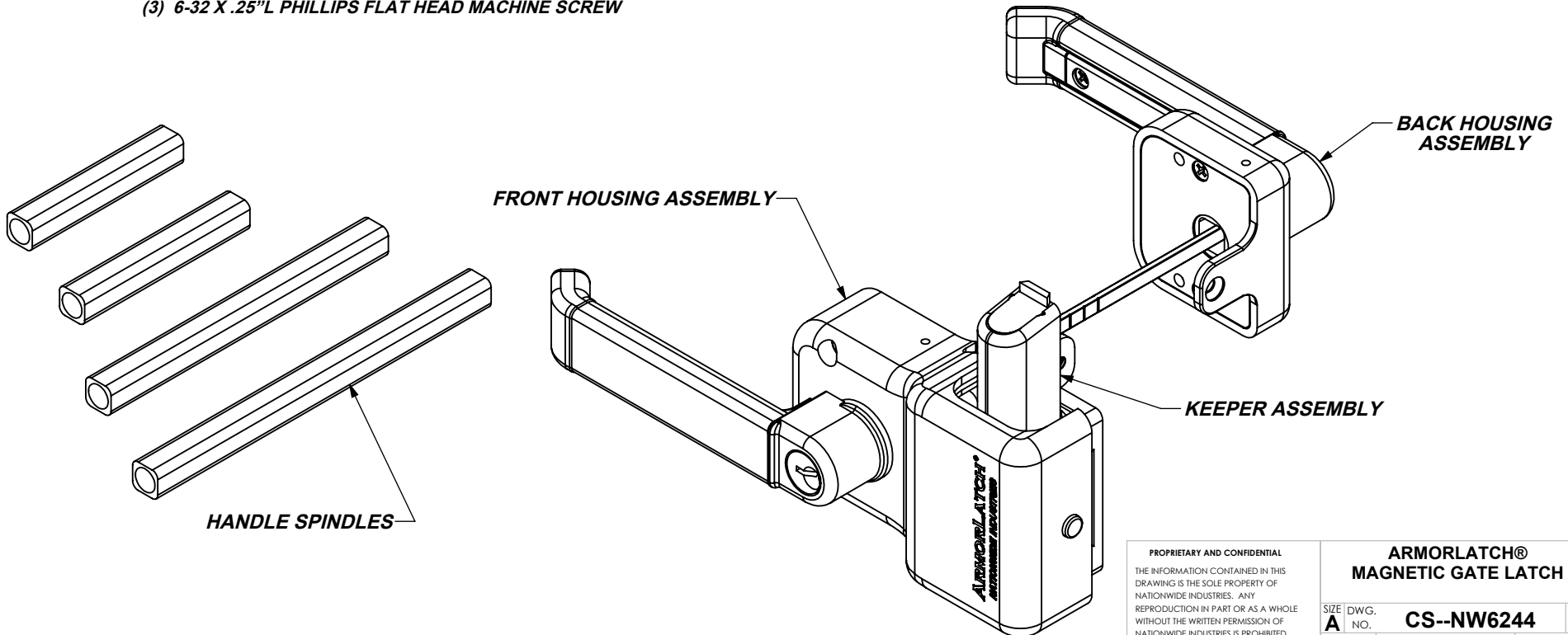
EACH INDIVIDUALLY LABELED BOXED SET TO CONTAIN:

1. INDIVIDUALLY POLYBAGGED

- (1) **KEEPER ASSEMBLY**
- (1) **FRONT HOUSING ASSEMBLY**
- (1) **BACK HOUSING ASSEMBLY**

2. POLYBAGGED MOUNTING HARDWARE KIT CONTAINING:

- (1) **5.95" HANDLE SPINDLE**
- (1) **4.95" HANDLE SPINDLE**
- (1) **2.95" HANDLE SPINDLE**
- (1) **2.70" HANDLE SPINDLE**
- (1) **SET OF FRONT HOUSING KEYS**
- (1) **SET OF BACK HOUSING KEYS**
- (1) **INSTALLATION INSTRUCTION SHEET**
- (1) **"WARRANTY" SHEET**
- (1) **POLYBAGGED SCREW SET CONTAINING:**
 - (2) **#8 X 1.75" L PHILLIPS FLAT HEAD SHEET METAL SCREW**
 - (2) **#8 X 1.25" L PHILLIPS FLAT HEAD SHEET METAL SCREW**
 - (6) **#8 X .75" L PHILLIPS FLAT HEAD SHEET METAL SCREW**
 - (1) **#8 X .5" L PHILLIPS FLAT HEAD SHEET METAL SCREW**
 - (3) **6-32 X .25" L PHILLIPS FLAT HEAD MACHINE SCREW**



PROPRIETARY AND CONFIDENTIAL THE INFORMATION CONTAINED IN THIS DRAWING IS THE SOLE PROPERTY OF NATIONWIDE INDUSTRIES. ANY REPRODUCTION IN PART OR AS A WHOLE WITHOUT THE WRITTEN PERMISSION OF NATIONWIDE INDUSTRIES IS PROHIBITED.		ARMORLATCH® MAGNETIC GATE LATCH	
SIZE A	DWG. NO.	CS--NW6244	REV. 1
SCALE:1:4	WEIGHT:	SHEET 2 OF 2	